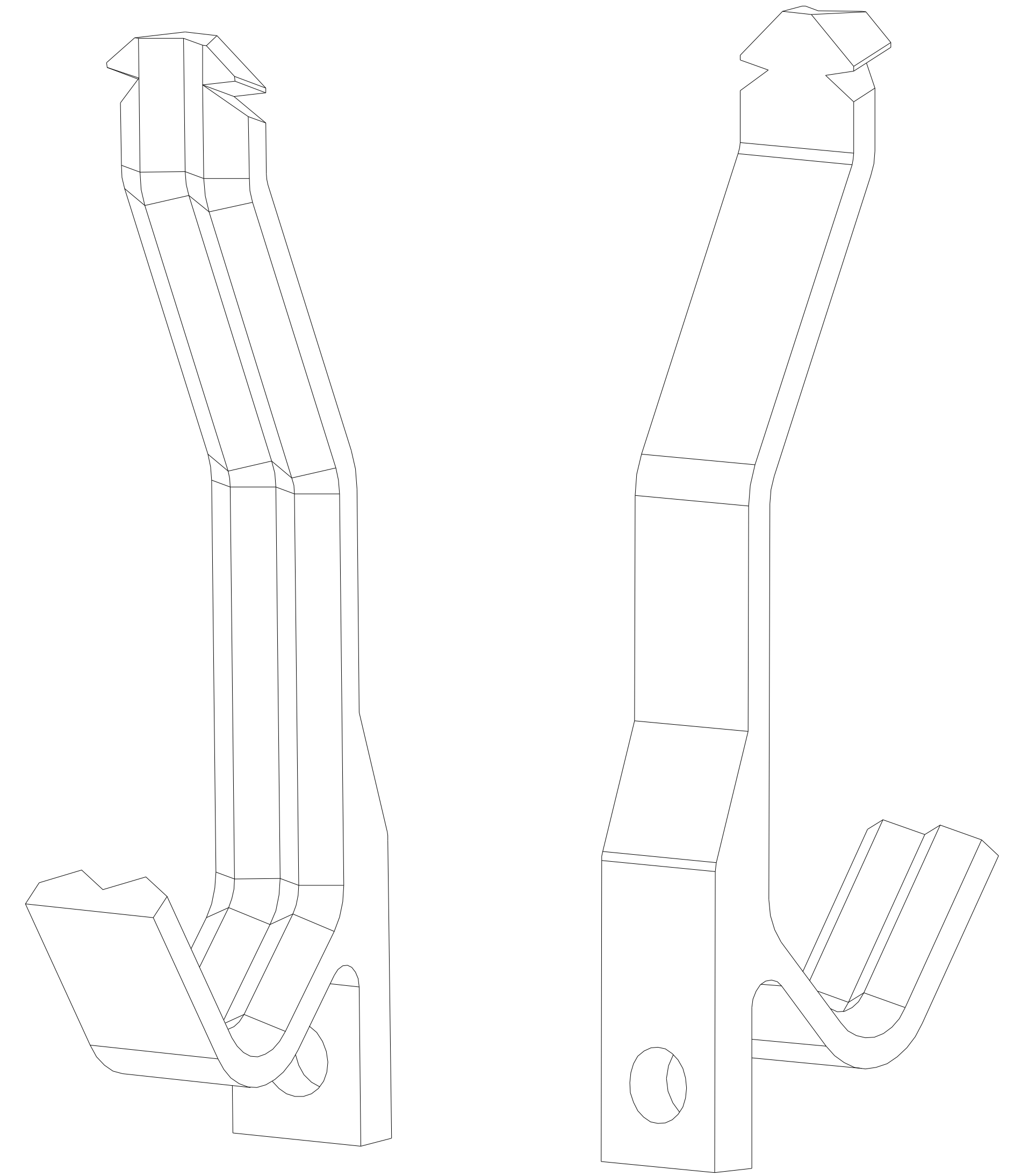
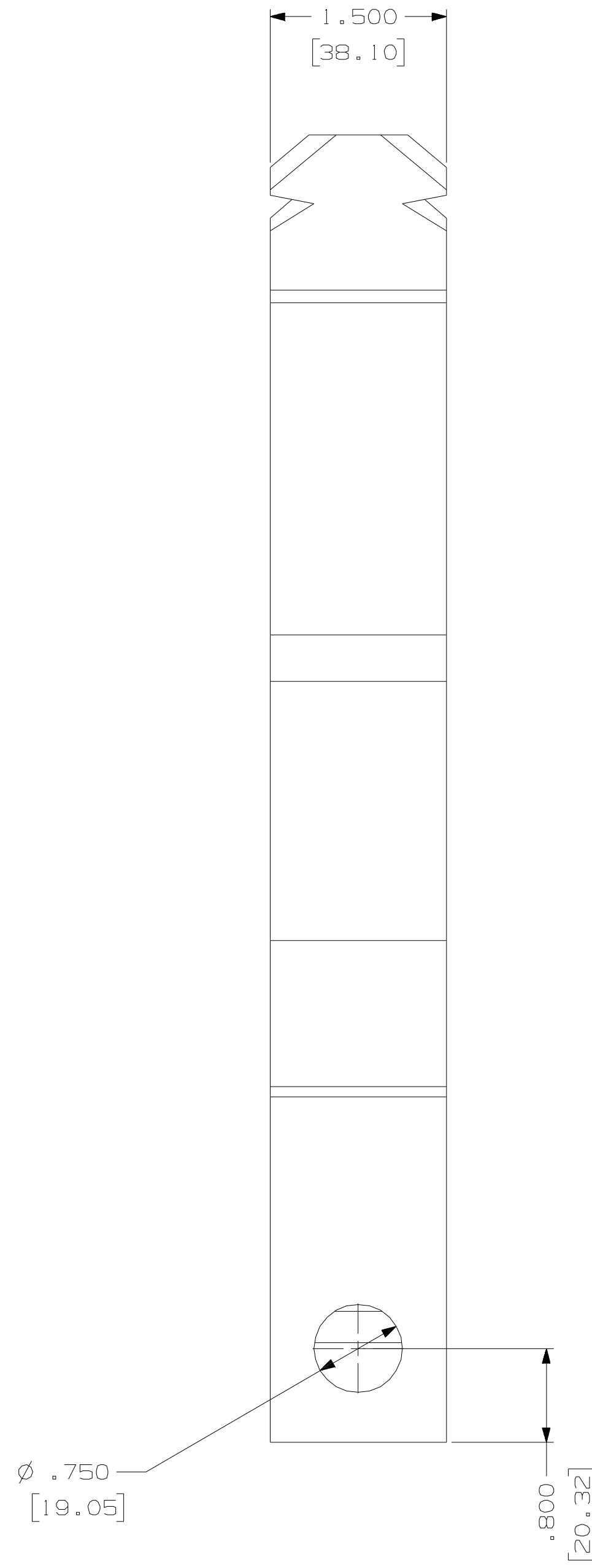
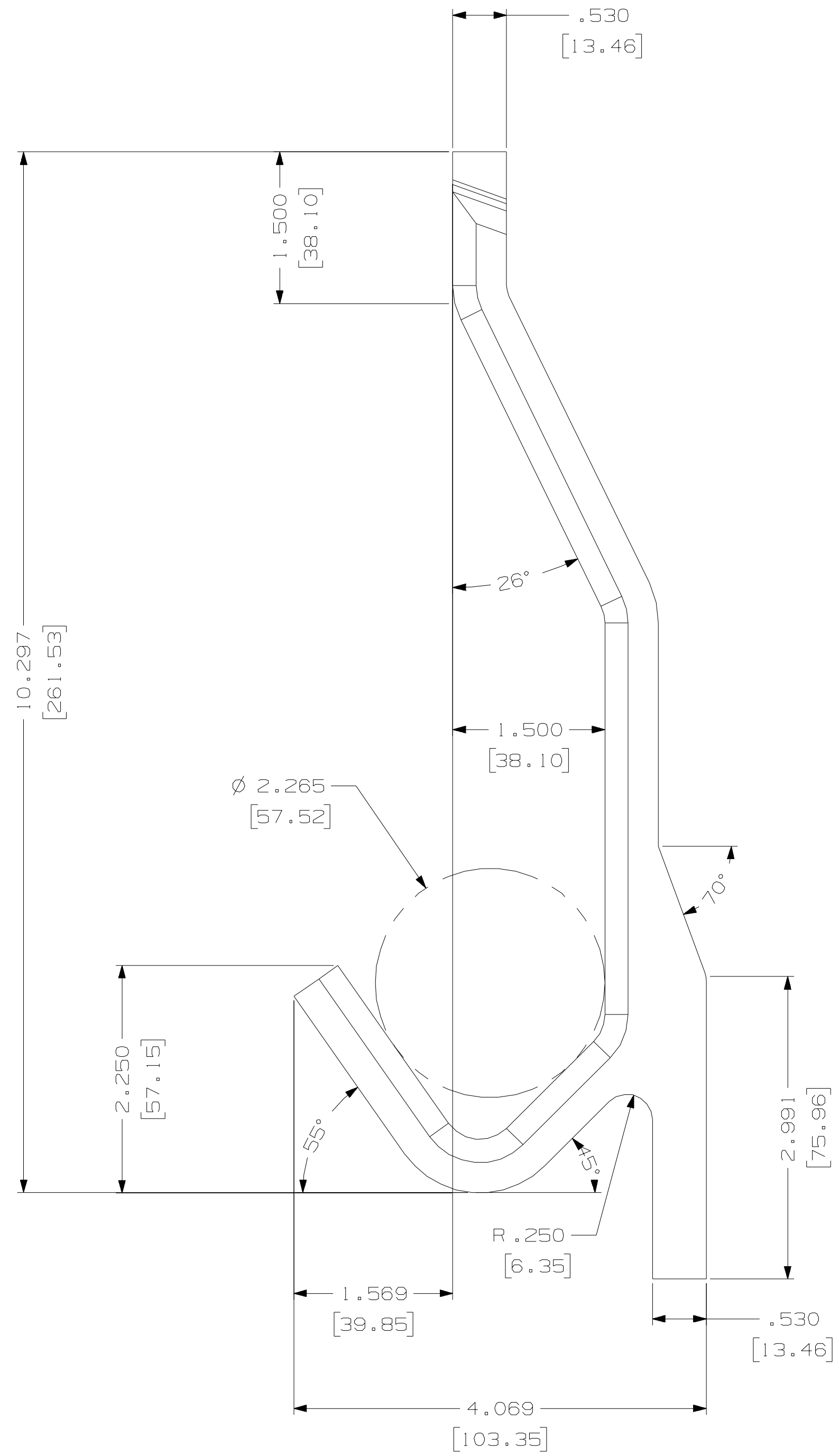
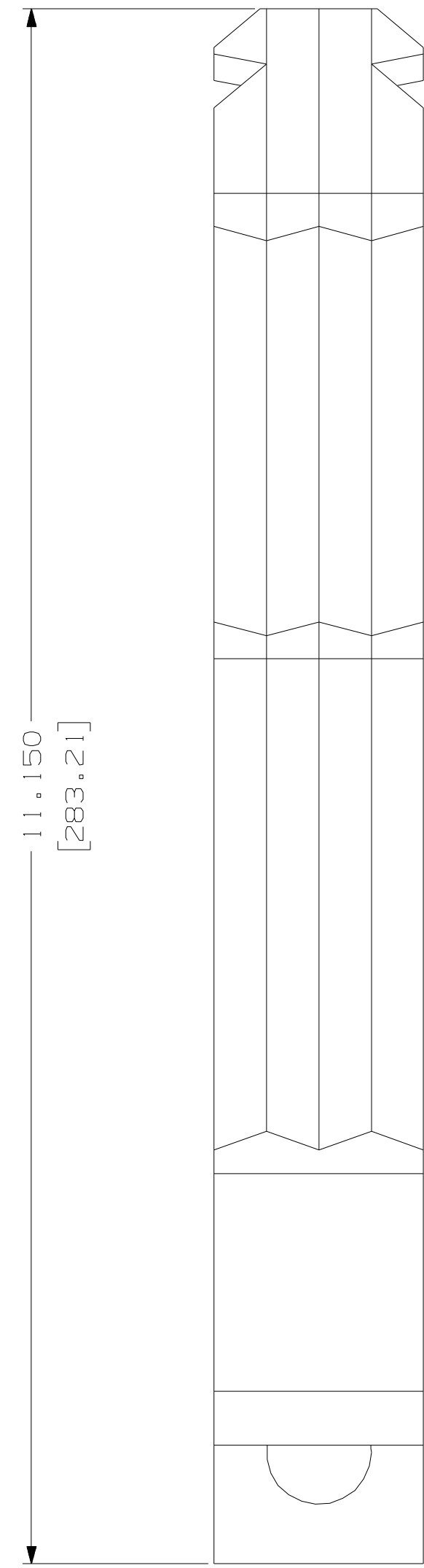
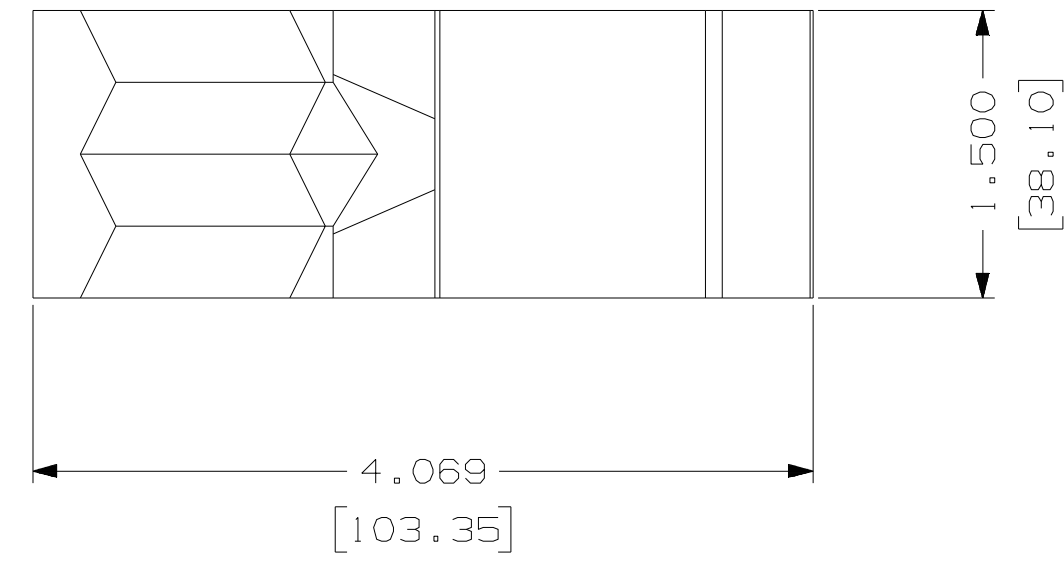


Max Buss Bar Size
 2.0" Square
 2.5" Dia. Round



ISO VIEW

ISO VIEW

X	CHROME ANODE HOOK #9	XXX	1.500" X 4.069" X 11.150"		
POS	DESCRIPTION	QTY	MATERIAL	SIZE	HARDNESS
<p>CONFIDENTIAL This document contains confidential information which is property of ALCHEMY EXTRUSIONS Inc. This document may not be reproduced, transferred or used, or its content disclosed without the written permission of ALCHEMY EXTRUSIONS Inc.</p>					
<p>DESIGNED RP 05-09 DRAWN RP 05-09 APPROV.</p>			<p>ALCHEMY EXTRUSIONS INC.</p> <p>23 Chapple Street Hamilton, Ontario L8L 6K7 Tel: 905-279-7911 Fax: 905-385-2641</p>		
<p>TOLERANCES UNLESS OTHERWISE SPECIFIED x/xx = ± .015 .xx = ± .010 .xxx = ± .005 .xxx = ± .001 ANGLES = ± 1/2°</p>					
<p>TITLE: CHROME ANODE HOOKS DOUBLE KNIFE EDGE</p>			<p>SCALE: 1:1</p>	<p>JOB EP0708</p>	<p>DWG NO. EP0708-6 SHEET 1 OF 1</p>
					<p>REV.</p>