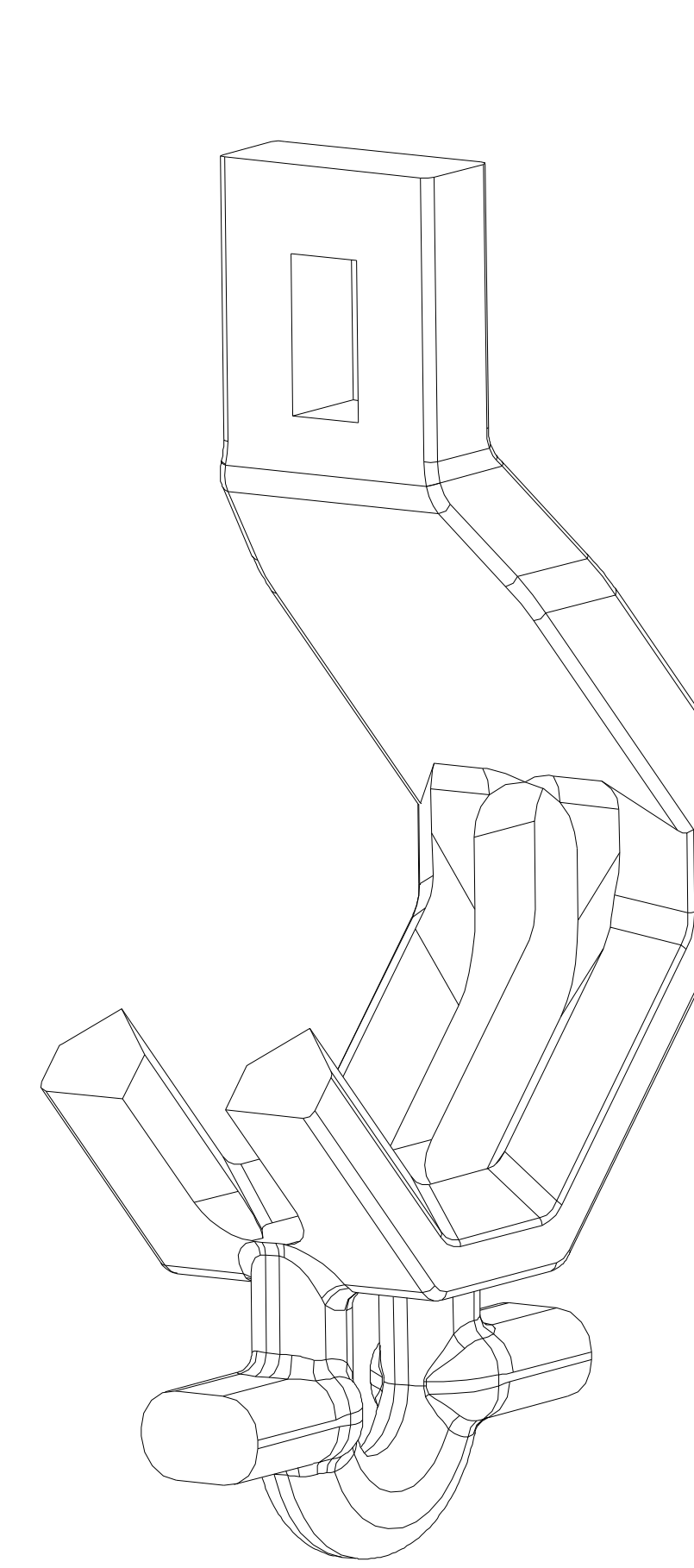
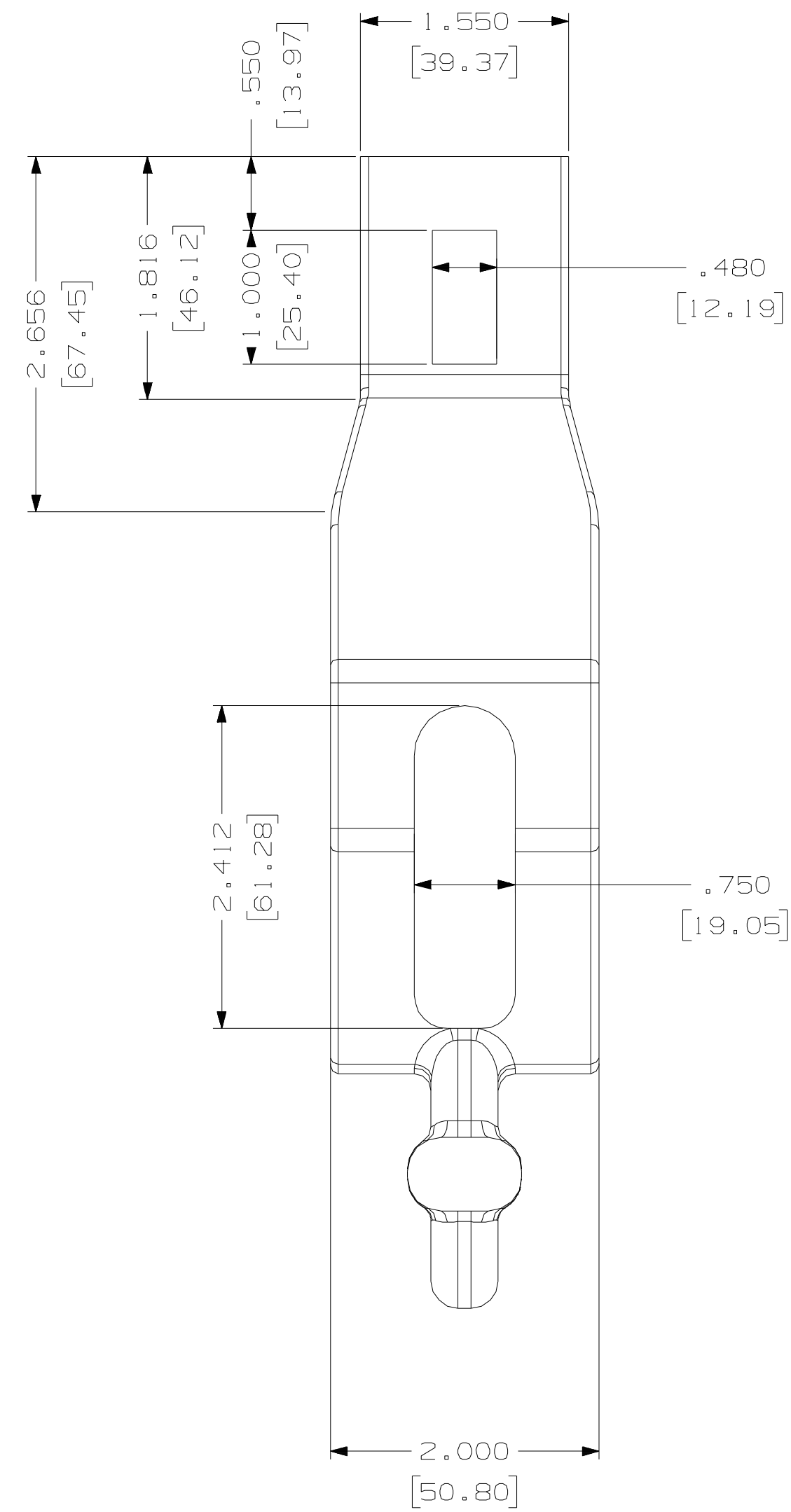
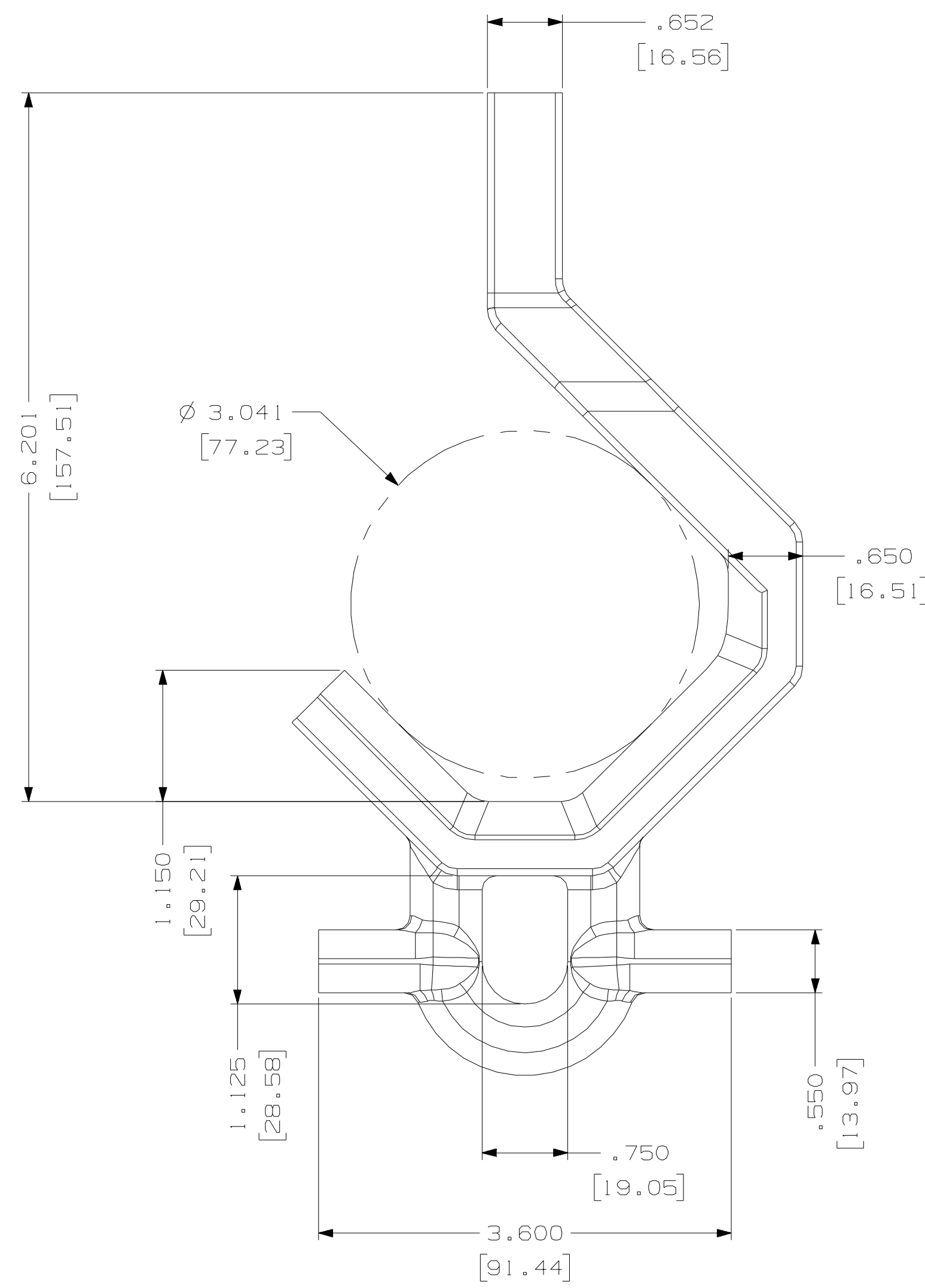
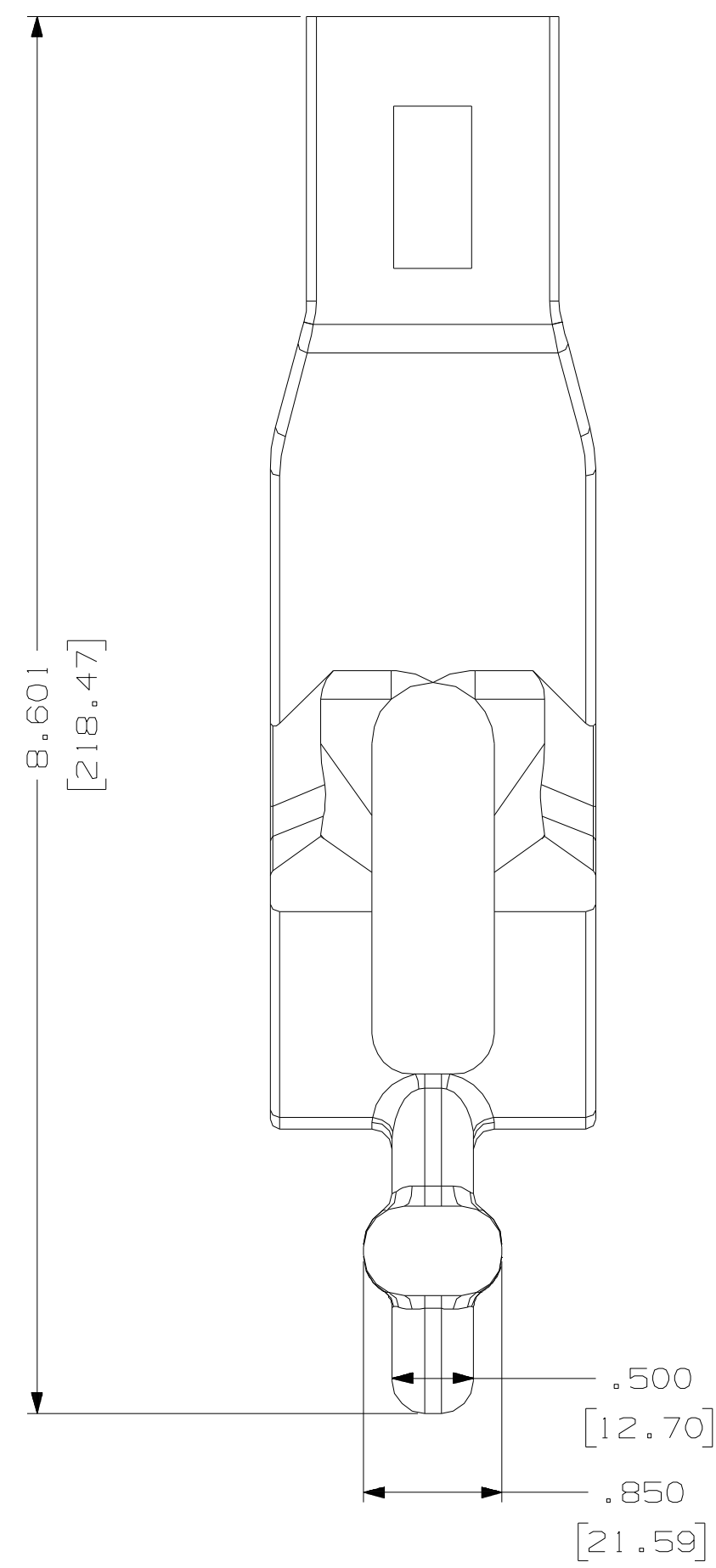
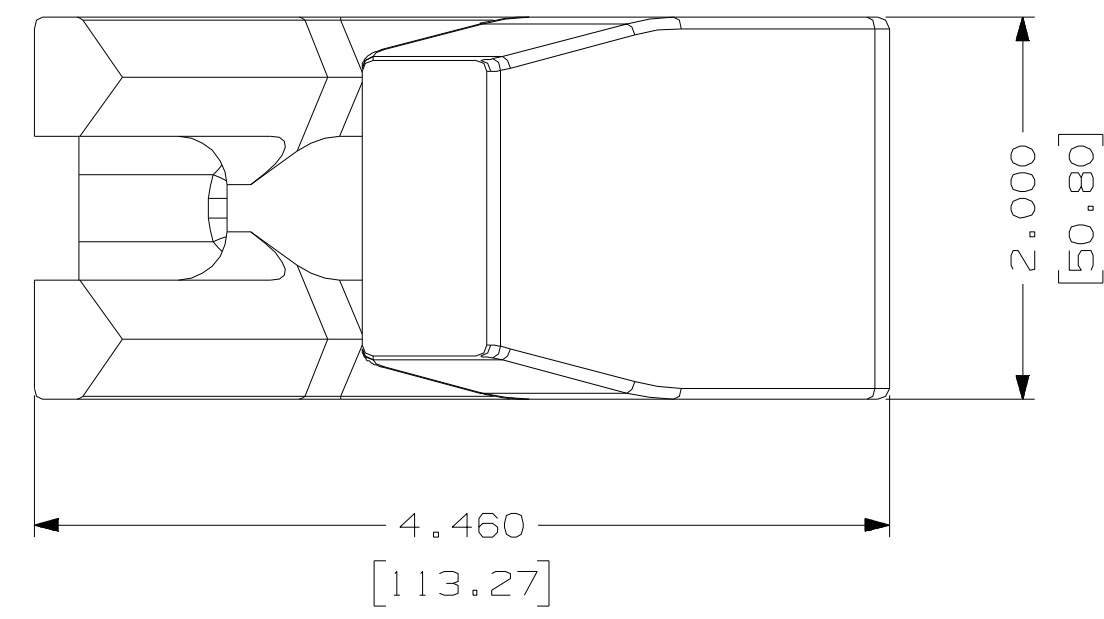
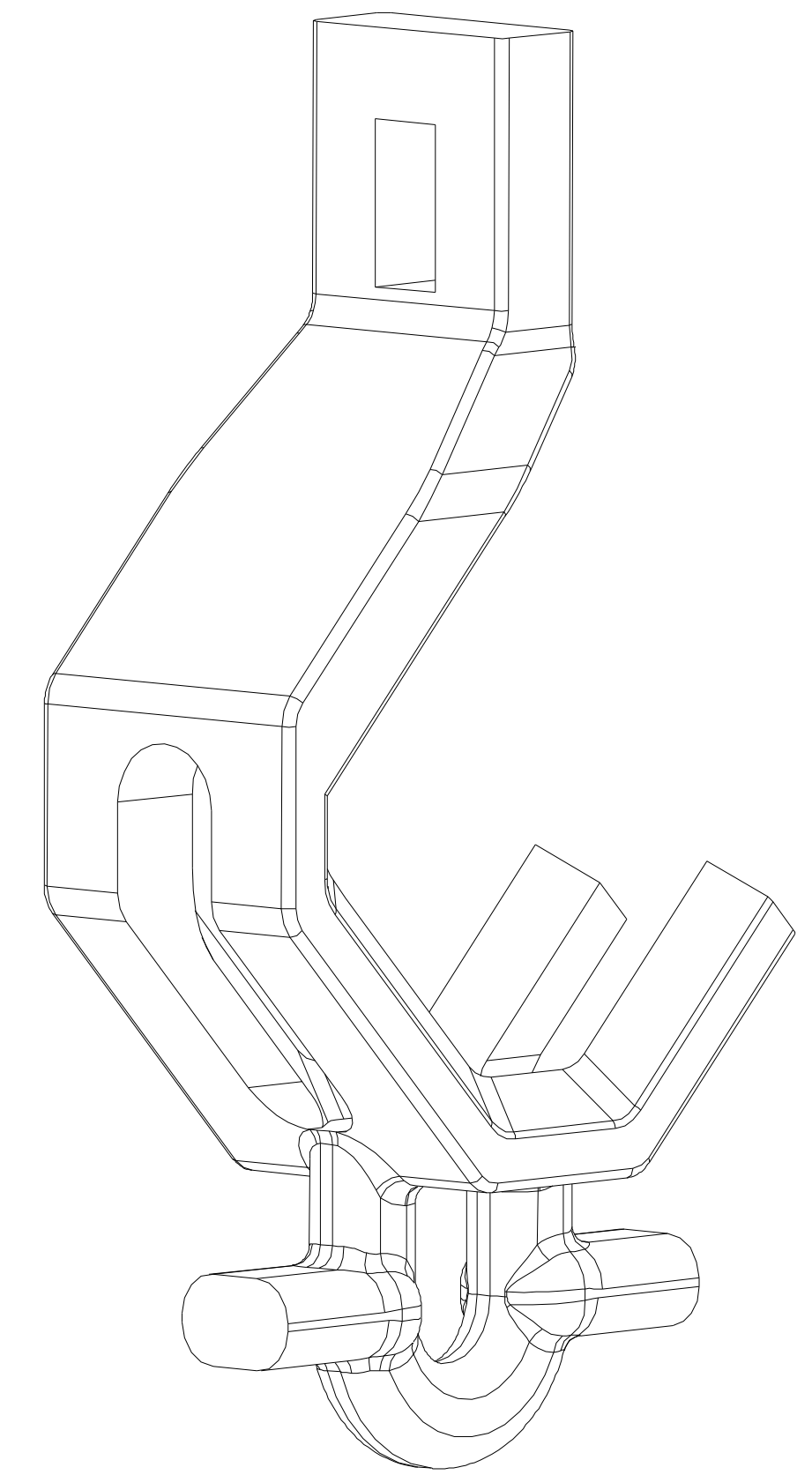


Max Buss Bar Size
 2.0" Square
 2.5" Dia. Round



ISO VIEW



ISO VIEW

X	CHROME ANODE HOOK #8	XXX		2.000" X 4.460" X 8.601"	
POS	DESCRIPTION	QTY	MATERIAL	SIZE	HARDNESS
<p>CONFIDENTIAL This document contains confidential information which is property of ALCHEMY EXTRUSIONS Inc. This document may not be reproduced, transferred or used, or its content disclosed without the written permission of ALCHEMY EXTRUSIONS Inc.</p> <p style="text-align: center;">ALCHEMY EXTRUSIONS INC.</p> <p>23 Chopple Street Hamilton, Ontario L8L 6K7 Tel: 905-278-7811 Fax: 905-385-2641</p>					
DESIGNED	RP	DATE	05-09	DESCRIPTION:	
DRAWN	RP	DATE	05-09	TITLE:	
APPROV.				CHROME ANODE HOOKS DOUBLE KNIFE EDGE	
TOLERANCES UNLESS OTHERWISE SPECIFIED			SCALE:	JOB	DWG NO.
x/xx	± .015		1:1	EP0708	EP0708-5
.x	± .010				REV.
.xx	± .005				SHEET 1 OF 1
.xxx	± .001				
ANGLES: ± 1/2°					