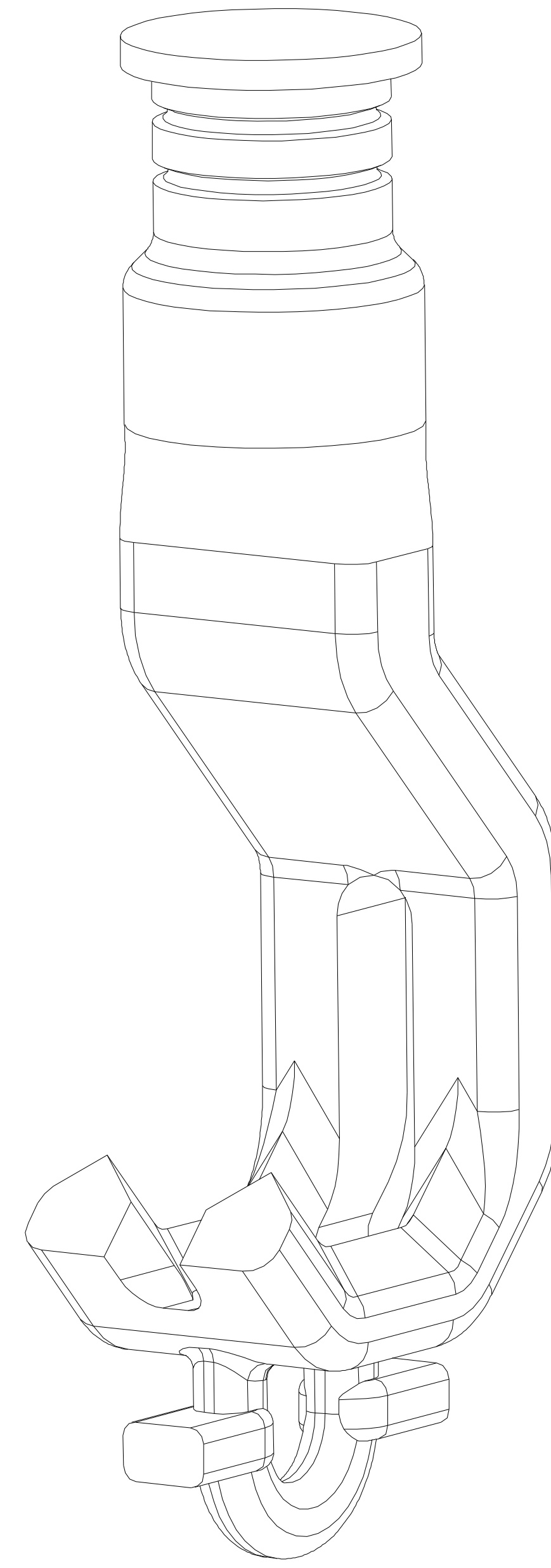
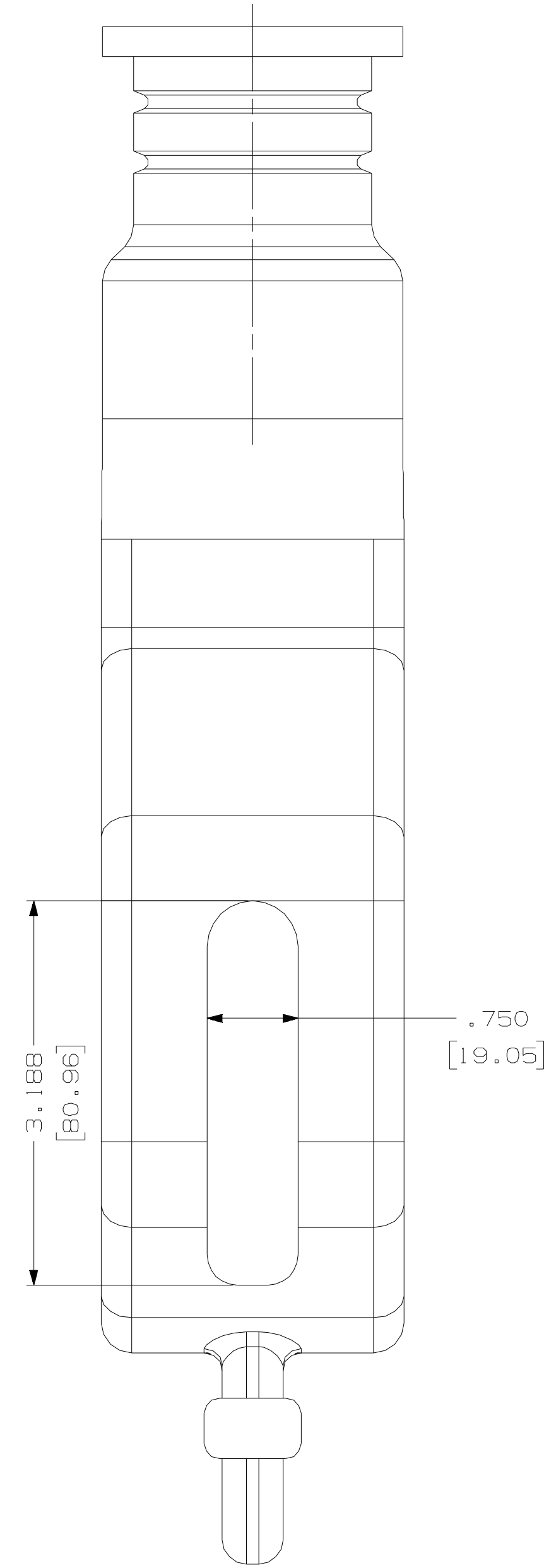
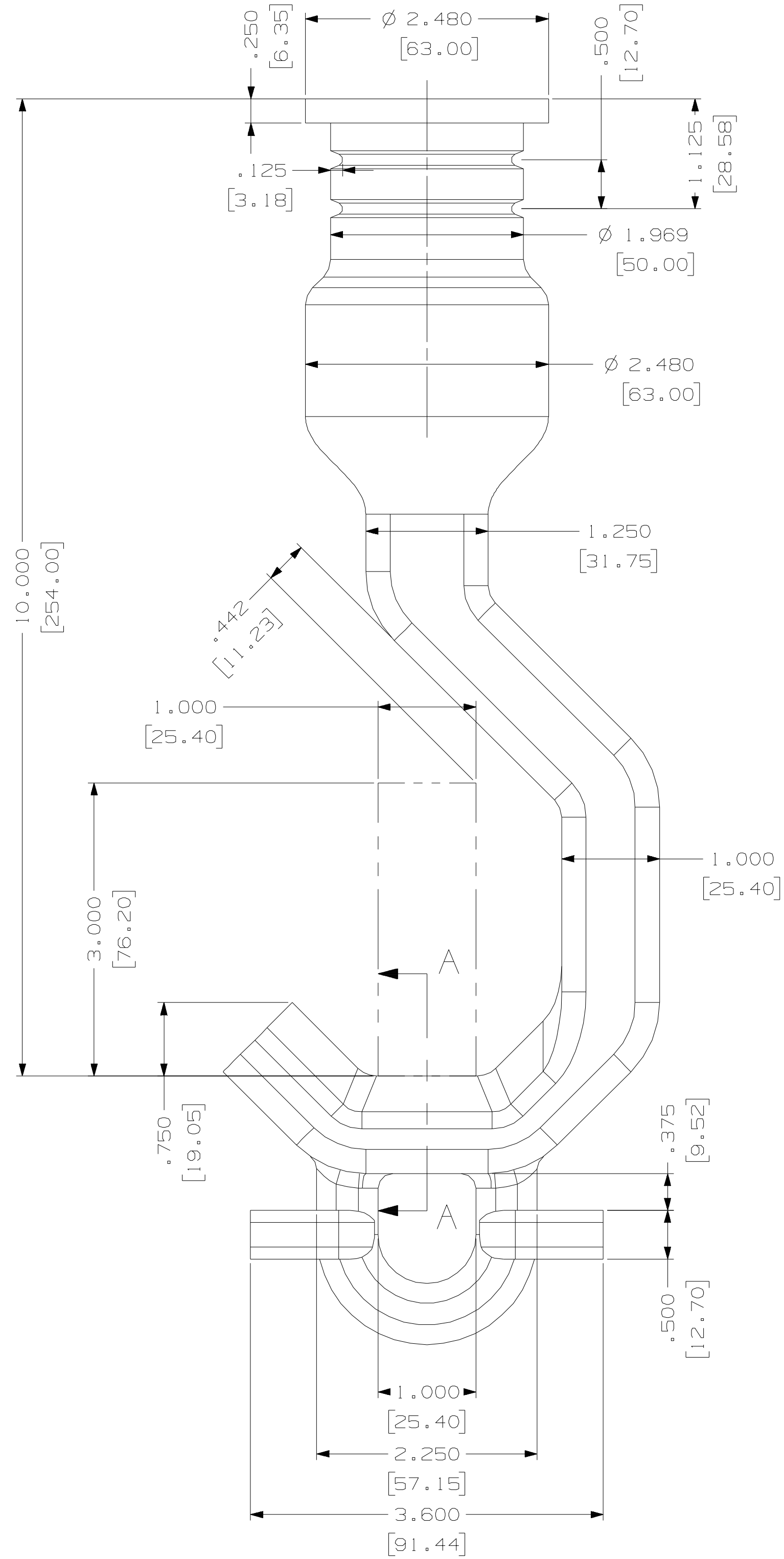
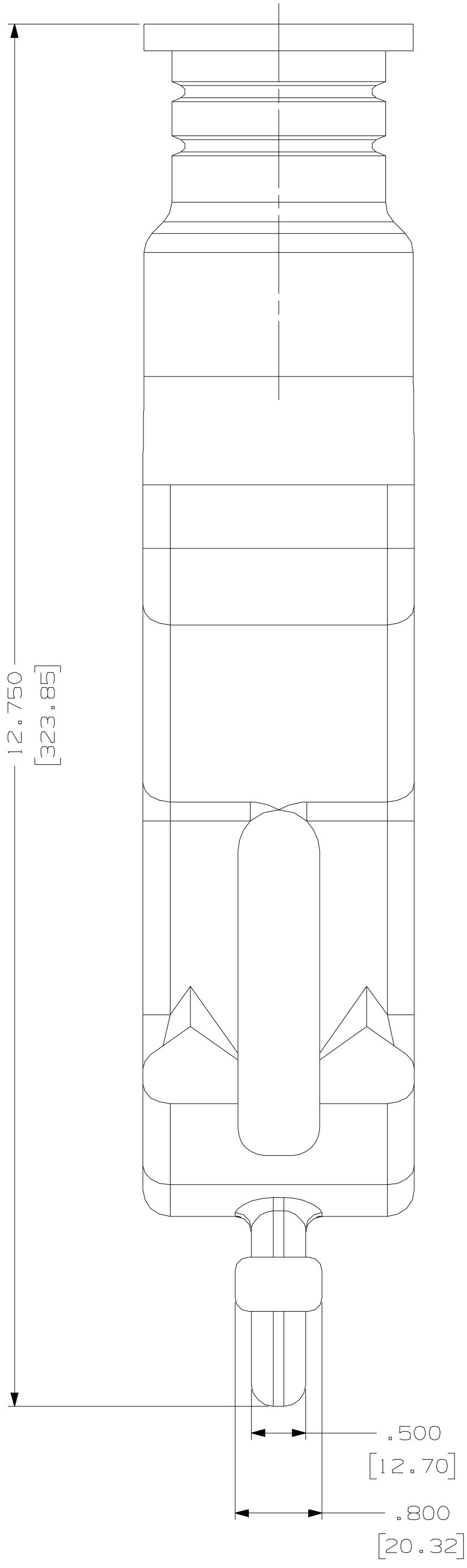
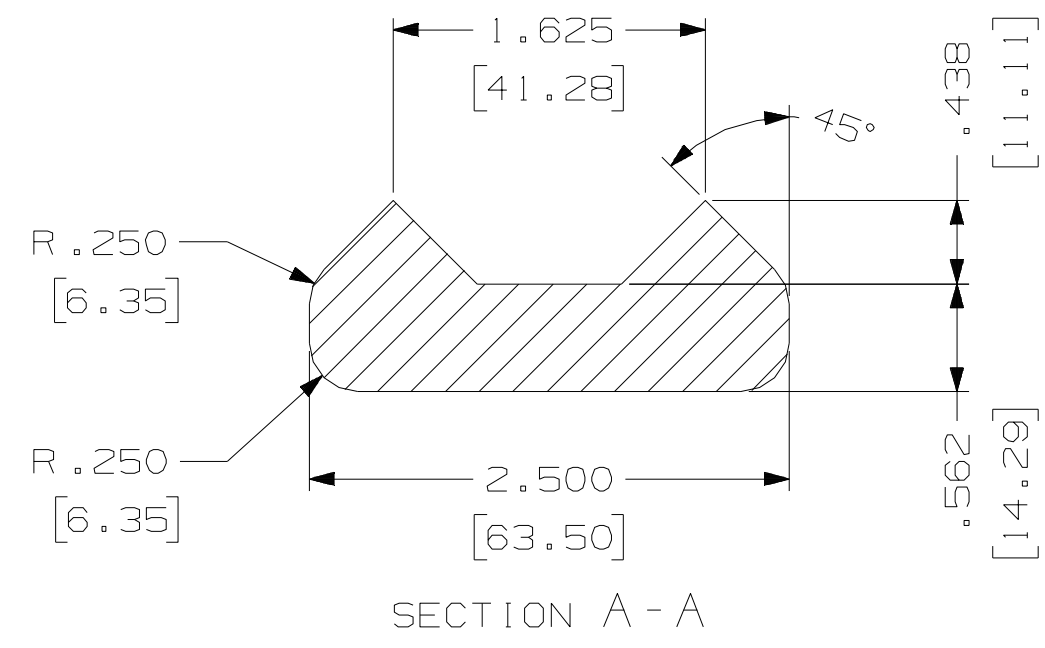
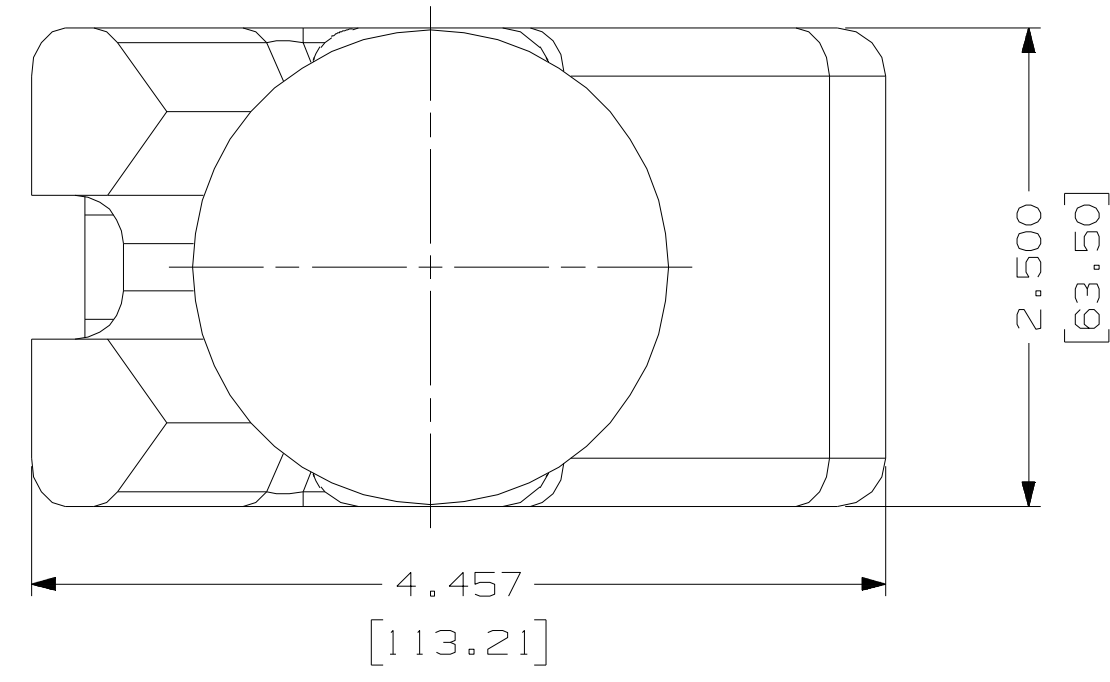
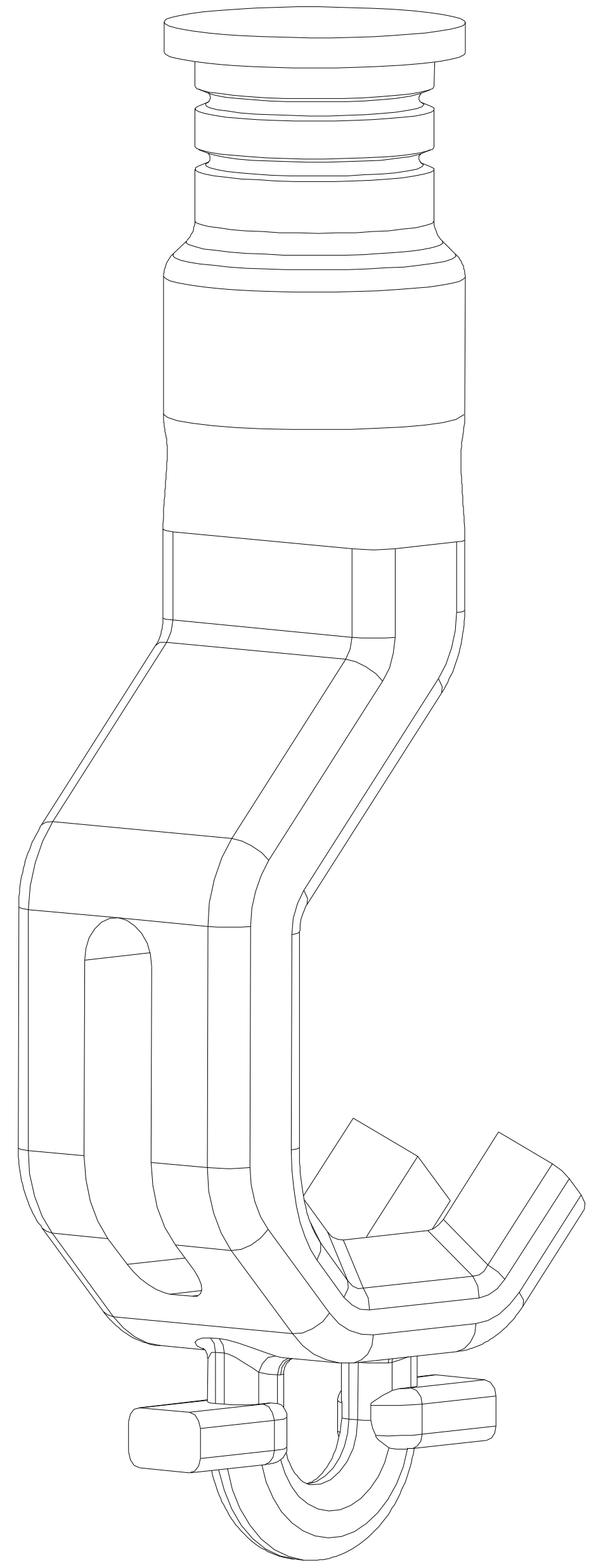


Max Buss Bar Size
1.5" Square
2.0" Dia. Round



ISO VIEW



ISO VIEW

X	CHROME ANODE HOOK	XXX	Bronze	2.500" X 4.457" X 12.750"	
POS	DESCRIPTION	QTY	MATERIAL	SIZE	HARDNESS
<p>CONFIDENTIAL This document contains confidential information which is property of ALCHEMY EXTRUSIONS Inc. This document may not be reproduced, transferred or used, or its content disclosed without the written permission of ALCHEMY EXTRUSIONS Inc.</p> <p style="text-align: center;">ALCHEMY EXTRUSIONS INC.</p> <p>23 Chapple Street Hamilton, Ontario L8L 6K7 Tel: 905-279-7811 Fax: 905-385-2641</p>					
DESIGNED	RP	DATE	07-03	DESCRIPTION:	
DRAWN	RP	DATE	07-03		
APPROV.					
<p>TOLERANCES UNLESS OTHERWISE SPECIFIED x/xx = ± .015 .x = ± .010 .xx = ± .005 .xxx = ± .001 ANGLES = ± 1/2°</p>					
TITLE:			CHROME ANODE HOOK		
SCALE:		JOB		DWG NO.	
1:1		EPO640		EPO640-1	
				SHEET 1 OF 1	
REV.					