

Lead Came:

Legend has it that Lead Came first appeared in the tenth century, with the invention of the stained glass window. Pieces of colored or painted glass were patterned into colorful designs and held together using cast 'H' shaped cross sections of Lead.

Today, however the process not only encompasses stained glass windows, but a variety of items such as **Tiffany Lamps**, and numerous decorative items for the home such as **Door Lights, Sun Catchers**, etc. These varied items require different cross sections, with considerations given to design, strength and overall impression the artist wants to project.

Alchemy Lead Came provides the Variety of Profiles and Alloys to meet every need, all Quality Controlled to give you the best material available today. Alchemy Lead Came is available in over **200 cross sections** offering you a wide variety of options for design. Whether you are a beginner or a professional, Alchemy Lead Came will meet your requirements.

Standard packaging is 6 Foot Lengths in 50 Lb Cartons with separators between each level. *If you require special packaging other than shown above simply contact us. Our purpose is to supply you with the best material available, the way you want it.*



Glossary of Terms:

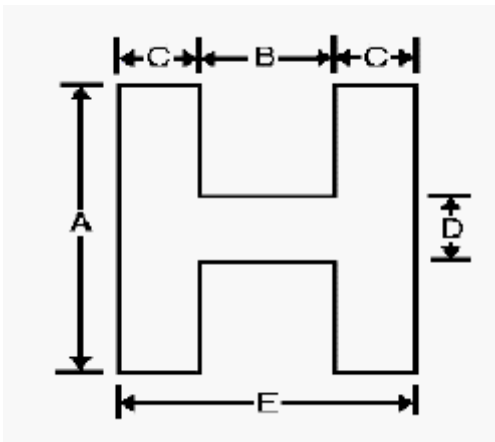
LEAF (FACE) (A): The surface area that is exposed upon final assembly of a piece, sometimes referred as the "Face".

HEART (CHANNEL) (B): The depth of the section that coincides with the thickness of the glass being used, sometimes referred as the "Channel".

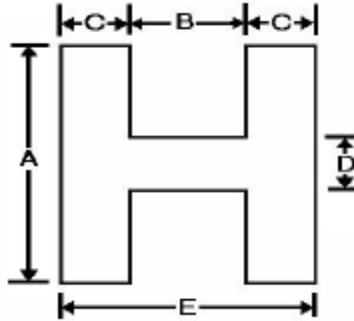
LEAF THICKNESS (C): The height that is exposed on the glass surface. Can be patterned or exhibit a bead for visual appearance.

HEART THICKNESS (D): The distance between each piece of glass that provides the backbone of the section and the strength of the stained glass piece.

OVERALL HEIGHT (E): The total thickness of the section from leaf to leaf.



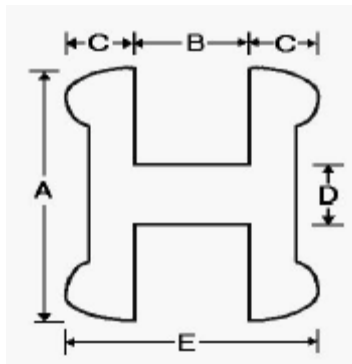
Flat 'H' (FH)



Part No.	Leaf (Face) (A)	Leaf Thick (C)	Heart Thick (D)	Overall Thick (E)	Tail (F)	Die Number
Heart (Channel) Width (B): 0.109" (2.8 mm)						
FH 13.5 x 2.8	0.531" (13.5mm)	0.034"	0.045"	0.177"	-	69
Heart (Channel) Width (B): 0.125" (3.2mm)						
FH 5.6 x 3.2	0.219" (5.6mm)	0.032"	0.031"	0.189"	-	43
FH 10 x 3.2	0.393" (10mm)	0.032"	0.031"	0.189"	-	208
FH 15.5 x 3.2	0.609" (15.5mm)	0.036"	0.046"	0.197"	-	60
Heart (Channel) Width (B): 0.141" (3.6 mm)						
FH 19.1 x 3.6	0.750" (19.1mm)	0.030"	0.057"	0.201"	-	57
Heart (Channel Width (B): 0.156" (4mm)						
FH 3 x 4	0.118" (3mm)	0.020"	0.037"	0.196"	-	L 3 FH
FH 4.5 x 4	0.177" (4.5mm)	0.021"	0.047"	0.198"	-	L 4.5 FH
FH 4.6 x 4	0.183" (4.6mm)	0.027"	0.031"	0.210"	-	260 H
FH 6 x 4	0.236" (6mm)	0.030"	0.047"	0.216"	-	L 6 FH
FH 8 x 4	0.313" (8mm)	0.028"	0.031"	0.212"	-	133
FH 8 x 4-A	0.315" (8mm)	0.031"	0.047"	0.218"	-	L 8 FH
FH 8 x 4-B	0.313" (8mm)	0.058"	0.037"	0.272"	-	Classic 'H'
FH 8.3 x 4	0.328" (8.3mm)	0.052"	0.120"	0.260"	-	10 A
FH 8.7 x 4	0.344" (8.7mm)	0.044"	0.045"	0.244"	-	DS 'H'
FH 9.5 x 4	0.375" (9.5mm)	0.037"	0.037"	0.230"	-	139
FH 9.9 x 4	0.391" (9.9 mm)	0.035"	0.048"	0.226"	-	117
FH 10 x 4	0.394" (10mm)	0.028"	0.046"	0.212"	-	L 10 FH
FH 10.6 x 4	0.418" (10.6mm)	0.032"	0.031"	0.220"	-	117
FH 11.1 x 4	0.438" (11.1mm)	0.040"	0.047"	0.236"	-	100
FH 12 x 4	0.472" (12mm)	0.029"	0.047"	0.214"	-	L 12 FH
FH 12.7 x 4	0.500" (12.7mm)	0.032"	0.031"	0.220"	-	HF 21
FH 12.7 x 4-A	0.500" (12.7mm)	0.043"	0.053"	0.242"	-	12
FH 15.8 x 4	0.623" (15.8mm)	0.032"	0.047"	0.220"	-	L 16 FH
FH 20 x 4	0.787" (20mm)	0.034"	0.045"	0.224"	-	L 20 FH
Heart (Channel) Width (B): 0.172" (4.4mm)						
FH 5.3 x 4.4	0.210" (5.3mm)	0.032"	0.031"	0.236"	-	39

FH 6.4 x 4.4	0.250" (6.4mm)	0.042"	0.045"	0.256"	-	HF 108
FH 8 x 4.4	0.313" (8mm)	0.040"	0.052"	0.252"	-	9
Heart (Channel) Width (B): 0.188" (4.8mm)						
FH 8.7 x 4.8	0.344" (8.7mm)	0.065"	0.061"	0.318"	-	84
FH 10 x 4.8	0.393" (10mm)	0.066"	0.060"	0.320"	-	204
FH 12.3 x 4.8	0.484" (12.3mm)	0.050"	0.045"	0.288"	-	205
FH 15.9 x 4.8	0.625" (15.9mm)	0.031"	0.065"	0.250"	-	150
FH 18.3 x 4.8	0.719" (18.3mm)	0.041"	0.152"	0.270"	-	210
FH 19.1 x 4.8	0.750" (19.1mm)	0.056"	0.053"	0.300"	-	213
FH 19.5 x 4.8	0.766" (19.5mm)	0.070"	0.184"	0.328"	-	220
Heart (Channel) Width (B): 0.219" (5.6mm)						
FH 9.4 x 5.6	0.370" (9.4mm)	0.043"	0.052"	0.305"	-	HF 29
FH 25.4 x 5.6	1.000" (25.4mm)	0.036"	0.061"	0.291"	-	56 A
Heart (Channel) Width (B): 0.234" (6mm)						
FH 6.8 x 6	0.266" (6.8mm)	0.073"	0.075"	0.380"	-	25 A
FH 12 x 6	0.472" (12mm)	0.023"	0.047"	0.280"	-	L 12 FHH
FH 12 x 6-A	0.472" (12mm)	0.030"	0.047"	0.294"	-	L12 FHH1
FH 13.1 x 6	0.516" (13.1mm)	0.118"	0.156"	0.470"	-	RJ 01
Heart (Channel) Width (B): 0.250" (6.4 mm)						
FH 9.5 x 6.4	0.375" (9.5mm)	0.036"	0.038"	0.322"	-	107 A
FH 12.7 x 6.4	0.500" (12.7mm)	0.063"	0.064"	0.376"	-	PSG 1
FH 13.1 x 6.4	0.516" (13.1mm)	0.026"	0.043"	0.302"	-	107
Heart (Channel) Width (B): 0.266" (6.7 mm)						
FH 12.3 x 6.7	0.484" (12.3mm)	0.041"	0.050"	0.348"	-	209
Heart (Channel) Width (B): 0.281" (7.1 mm)						
FH 6.8 x 7.1	0.266" (6.8mm)	0.030"	0.052"	0.341"	-	25
FH 11.5 x 7.1	0.453" (11.5mm)	0.047"	0.060"	0.375"	-	120
Heart (Channel) Width (B): 0.328" (8.3 mm)						
FH 15.2 x 8.3	0.600 (15.2mm)	0.032"	0.031"	0.392"	-	59

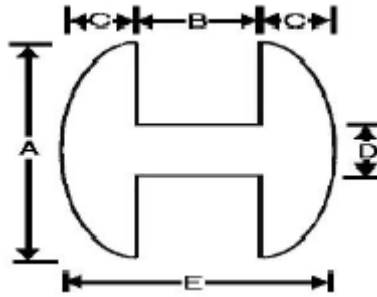
Flat 'H' Bead (FHB)



Part No.	Leaf (Face) (A)	Leaf Thick (C)	Heart Thick (D)	Overall Thick (E)	Tail (F)	Die Number
Heart (Channel) Width (B): 0.094" (2.4 mm)						
FHB 6.8 x 2.4	0.266" (6.8mm)	0.032"	0.031"	0.031"	-	18
Heart (Channel) Width (B): 0.125" (3.2mm)						
FHB 4.4 x 3.2	0.172" (4.4mm)	0.032"	0.031"	0.189"	-	89
FHB 4.8 x 3.2	0.188" (4.8mm)	0.032"	0.031"	0.189"	-	90
FHB 9.5 x 3.2	0.375" (9.5mm)	0.043"	0.040"	0.211"	-	92
FHB 13.1 x 3.2	0.516" (13.1mm)	0.048"	0.051"	0.221"	-	75
FHB 15.1 x 3.2	0.594" (15.1mm)	0.032"	0.031"	0.189"	-	38A
Heart (Channel) Width (B): 0.141" (3.6mm)						
FHB 9.5 x 3.6	0.375" (9.5mm)	0.032"	0.031"	0.205"	-	HFB 29 A
FHB 11.5 x 3.6	0.453" (11.5mm)	0.035"	0.040"	0.211"	-	20
FHB 15.5 x 3.6	0.609" (15.5mm)	0.041"	0.042"	0.223"	-	145
Heart (Channel) Width (B): 0.156" (4mm)						
FHB 4.5 x 4	0.172" (4.5mm)	0.032"	0.031"	0.220"	-	121B
FHB 6.4 x 4	0.250" (6.4mm)	0.034"	0.031"	0.224"	-	257
FHB 9.5 x 4	0.375" (9.5mm)	0.032"	0.031"	0.220"	-	171
FHB 11.1 x 4	0.438" (11.1mm)	0.042"	0.045"	0.240"	-	119
FHB 12.7 x 4	0.500" (12.7mm)	0.044"	0.056"	0.244"	-	114
FHB 14.4 x 4	0.568" (14.4mm)	0.032"	0.031"	0.220"	-	68
FHB 14.9 x 4	0.585" (14.9mm)	0.042"	0.040"	0.240"	-	95
FHB 15.1 x 4	0.594" (15.1mm)	0.030"	0.042"	0.216"	-	207
FHB 15.1 x 4-A	0.594" (15.1mm)	0.032"	0.031"	0.220"	-	66
FHB 15.9 x 4	0.625" (15.9mm)	0.028"	0.216"	0.212"	-	183
Heart (Channel) Width (B): 0.172" (4.4mm)						
FHB 6.4 x 4.4	0.250" (6.4mm)	0.032"	0.031"	0.236"	-	121
FHB 6.8 x 4.4	0.266" (6.8mm)	0.042"	0.037"	0.256"	-	192
FHB 16.3 x 4.4	0.641" (16.3mm)	0.020"	0.112"	0.212"	-	219

FHB 17.9 x 4.4	0.703" (17.9mm)	0.018"	0.135"	0.208"	-	136
Heart (Channel) Width (B): 0.188" (4.8mm)						
FHB 4.8 x 4.8	0.188" (4.8mm)	0.040"	0.024"	0.268"	-	125
FHB 7.1 x 4.8	0.281" (7.1mm)	0.032"	0.031"	0.252"	-	10
FHB 9.5 x 4.8	0.375" (9.5mm)	0.036"	0.031"	0.260"	-	109
FHB 12.3 x 4.8	0.484" (12.3mm)	0.027"	0.071"	0.242"	-	165
FHB 12.3 x 4.8-A	0.484" (12.3mm)	0.075"	0.025"	0.338"	-	HF 309
FHB 13.1 x 4.8	0.516" (13.1mm)	0.034"	0.060"	0.256"	-	316
Heart (Channel) Width (B): 0.219" (5.6mm)						
FHB 5.2 x 5.6	0.205" (5.2mm)	0.018"	0.023"	0.255"	-	147
FHB 5.6 x 5.6	0.219" (5.6mm)	0.032"	0.031"	0.283"	-	172
Heart (Channel) Width (B): 0.250" (6.4mm)						
FHB 8 x 6.4	0.313" (8mm)	0.030"	0.031"	0.310"	-	78
FHB 12.7 x 6.4	0.500" (12.7mm)	0.034"	0.047"	0.318"	-	166
Heart (Channel) Width (B): 0.375" (9.5mm)						
FHB 7.9 x 9.5	0.312" (7.9mm)	0.045"	0.043"	0.465"	-	163
Heart (Channel) Width (B): 0.391" (9.9mm)						
FHB 8.7 x 9.9	0.344" (8.7mm)	0.039"	0.045"	0.469"	-	142

Round 'H' (RH)

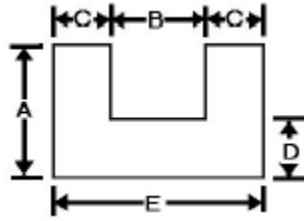


Part No.	Leaf (Face) (A)	Leaf Thick (C)	Heart Thick (D)	Overall Thick (E)	Tail (F)	Die Number
Heart (Channel) Width (B): 0.125" (3.2mm)						
RH 6.4 x 3.2	0.250" (6.4mm)	0.046"	0.042"	0.217"	-	301
RH 7.5 x 3.2	0.297" (7.5mm)	0.058"	0.037"	0.241"	-	Limited 'H'
Heart (Channel) Width (B): 0.141" (3.6mm)						
RH 4 x 3.6	0.156" (4mm)	0.042"	0.025"	0.225"	-	96
RH 4.3 x 3.6	0.170" (4.3mm)	0.032"	0.031"	0.205"	-	4
RH 6 x 3.6	0.234" (6mm)	0.057"	0.042"	0.255"	-	BIG 'H'
RH 7.1 x 3.6	0.281" (7.1mm)	0.046"	0.022"	0.233"	-	SMALL 'H'
RH 16.7 x 3.6	0.656" (16.7mm)	0.051"	0.041"	0.243"	-	56
Heart (Channel) Width (B): 0.156" (4mm)						
RH 3.x 4	0.118" (3mm)	0.031"	0.045"	0.218"	-	L 3 RH
RH 3.4 x 4	0.135" (3.4mm)	0.032"	0.031"	0.220"	-	159
RH 4 x 4	0.156" (4mm)	0.031"	0.031"	0.219"	-	134
RH 4 x 4-A	0.156" (4mm)	0.032"	0.031"	0.220"	-	77 A
RH 4 x 4-B	0.156" (4mm)	0.036"	0.025"	0.228"	-	128
RH 4.2 x 4	0.165" (4.2mm)	0.054"	0.025"	0.264"	-	99
RH 4.4 x 4	0.172" (4.4mm)	0.058"	0.023"	0.272"	-	HR 44
RH 4.5 x 4	0.177" (4.5mm)	0.031"	0.045"	0.218"	-	L 4.5 RH
RH 4.8 x 4	0.188" (4.8mm)	0.032"	0.031"	0.220"	-	HR 458
RH 4.8 x 4-A	0.188" (4.8mm)	0.033"	0.031"	0.222"	-	2
RH 4.8 x 4-B	0.188" (4.8mm)	0.045"	0.043"	0.246"	-	113
RH 4.8 x 4-C	0.188" (4.8mm)	0.046"	0.031"	0.248"	-	45
RH 5.3 x 4	0.210" (5.3mm)	0.032"	0.031"	0.220"	-	HR 126
RH 5.6 x 4	0.219" (5.6mm)	0.032"	0.031"	0.220"	-	55
RH 5.6 x 4-A	0.219" (5.6mm)	0.049"	0.042"	0.254"	-	KAM 2
RH 6 x 4	0.234" (6mm)	0.031"	0.046"	0.218"	-	L 6 RH
RH 6 x 4-A	0.234" (6mm)	0.032"	0.031"	0.220"	-	HR 453
RH 6 x 4-B	0.234" (6mm)	0.038"	0.050"	0.232"	-	TIFF 'H'
RH 6 x 4-C	0.234" (6mm)	0.047"	0.037"	0.250"	-	127

RH 6 X 4-D	0.234" (6mm)	0.079"	0.047"	0.314"	-	HR 464
RH 6.8 x 4	0.266" (6.8m)	0.032"	0.031"	0.220"	-	HR 448
RH 7 x 4	0.285" (7mm)	0.046"	0.065"	0.248"	-	7
RH 7.5 x 4	0.297" (7.5mm)	0.032"	0.031"	0.220"	-	Limited 'H2'
RH 8 x 4	0.315" (8mm)	0.047"	0.045"	0.250"	-	L 8 RH
RH 10 x 4	0.394" (10mm)	0.048"	0.040"	0.252"	-	L 10 RH
RH 10.2 x 4	0.402" (10.2mm)	0.032"	0.031"	0.220"	-	155
RH 12 x 4	0.472" (12mm)	0.042"	0.052"	0.240"	-	L 12 RH
Heart (Channel) Width (B): 0.172" (4.4mm)						
RH 3.2 x 4.4	0.125" (3.2mm)	0.032"	0.031"	0.236"	-	HR 1
RH 5.2 x 4.4	0.203" (5.2mm)	0.032"	0.031"	0.236"	-	160
RH 5.6 x 4.4	0.219" (5.6mm)	0.032"	0.031"	0.236"	-	158
RH 5.6 x 4.4-A	0.219" (5.6mm)	0.037"	0.025"	0.246"	-	RH
RH 7 x 4.4	0.276" (7mm)	0.058"	0.031"	0.288"	-	RH 7
RH 11.1 x 4.4	0.438" (11.1mm)	0.087"	0.052"	0.346"	-	36
Heart (Channel) Width (B): 0.188" (4.8mm)						
RH 2.8 x 4.8	0.109" (2.8mm)	0.031"	0.023"	0.250"	-	1 A
RH 4 x 4.8	0.156" (4mm)	0.065"	0.031"	0.318"	-	123
RH 4.4 x 4.8	0.172" (4.4mm)	0.075"	0.031"	0.338"	-	KAM 1
RH 4.6 x 4.8	0.183" (4.6mm)	0.032"	0.031"	0.252"	-	185
RH 5.2 x 4.8	0.203" (5.2mm)	0.027"	0.023"	0.242"	-	IndePane 'H'
RH 5.3 x 4.8	0.210" (5.3mm)	0.094"	0.043"	0.375"	-	88
RH 5.4 x 4.8	0.212" (95.4mm)	0.051"	0.300"	0.290"	-	HR 8
RH 5.6 x 4.8	0.219" (5.6mm)	0.032"	0.031"	0.252"	-	HR 438
RH 6 x 4.8	0.236" (6mm)	0.032"	0.031"	0.252"	-	KAM 3
RH 6.4 x 4.8	0.250" (6.4mm)	0.032"	0.031"	0.252"	-	HR 443
RH 6.4 x 4.8-A	0.250" (6.4mm)	0.036"	0.040"	0.260"	-	31 LIGHT
RH 7.1 x 4.8	0.281" (7.1mm)	0.041"	0.040"	0.270"	-	54
RH 7.1 x 4.8-A	0.281" (7.1mm)	0.044"	0.042"	0.276"	-	31 HEAVY
RH 7.5 x 4.8	0.297" (7.5mm)	0.051"	0.052"	0.290"	-	30
RH 7.6 x 4.8	0.300" (7.6mm)	0.063"	0.040"	0.313"	-	50
RH 8.7 x 4.8	0.344" (8.7mm)	0.032"	0.031"	0.252"	-	218
Heart (Channel) Width (B): 0.203" (5.2mm)						
RH 5.6 x 5.2	0.219" (5.6mm)	0.031"	0.031"	0.265"	-	HR 433
RH 5.6 x 5.2-A	0.219" (5.6mm)	0.033"	0.031"	0.269"	-	152
RH 6 x 5.2	0.234" (6mm)	0.032"	0.031"	0.267"	-	5
Heart (Channel) Width (B): 0.219" (5.6mm)						
RH 4 x 5.6	0.156" (4mm)	0.032"	0.031"	0.283"	-	103
RH 4.8 x 5.6	0.188" (4.8mm)	0.032"	0.031"	0.283"	-	HR 63
RH 5.2 x 5.6	0.205" (5.2mm)	0.032"	0.031"	0.283"	-	26 A
RH 12 x 5.6	0.472" (12mm)	0.046"	0.050"	0.311"	-	79
RH 15.9 x 5.6	0.625" (15.9mm)	0.041"	0.050"	0.301"	-	201
RH 17.5 x 5.6	0.688" (17.5mm)	0.056"	0.065"	0.331"	-	221
Heart (Channel) Width (B): 0.234" (6mm)						

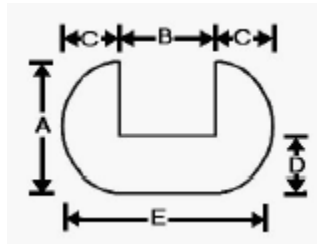
RH 4.5 x 6	0.177" (4.5mm)	0.033"	0.047"	0.300"	-	L 4.5 RHH
RH 6 x 6	0.234" (6mm)	0.033"	0.047"	0.300"	-	L 6 RHH
RH 6 x 6-A	0.234" (6mm)	0.048"	0.046"	0.330"	-	L6 RHH2
RH 8 x 6	0.315" (8mm)	0.047"	0.045"	0.328"	-	L 8 RHH
RH 10 x 6	0.394" (10mm)	0.048"	0.047"	0.330"	-	L 10 RHH
RH 13.7 x 6	0.539" (13.7mm)	0.044"	0.047"	0.322"	-	33
Heart (Channel) Width (B): 0.250" (6.4mm)						
RH 4.3 x 6.4	0.170" (4.3mm)	0.032"	0.031"	0.314"	-	180
RH 6.1 x 6.4	0.242" (6.1mm)	0.032"	0.031"	0.314"	-	179
RH 15.2 x 6.4	0.600" (15.2mm)	0.041"	0.047"	0.332"	-	223
Heart (Channel) Width (B): 0.281" (7.1mm)						
RH 4 x 7.1	0.156" (4mm)	0.035"	0.031"	0.351"	-	141
RH 4.8 x 7.1	0.188" (4.8mm)	0.032"	0.031"	0.345"	-	27
RH 5.4 x 7.1	0.212" (5.4mm)	0.032"	0.031"	0.345"	-	102
RH 6.7 x 7.1	0.266" (6.7mm)	0.044"	0.031"	0.369"	-	32
Heart (Channel) Width (B): 0.313" (7.9 mm)						
RH 7 x 7.9	0.276" (7mm)	0.032"	0.031"	0.377"	-	49A
RH 7.5 x 7.9	0.297" (7.5mm)	0.055"	0.045"	0.423"	-	58
RH 8.7 x 7.9	0.344" (8.7mm)	0.050"	0.041"	0.413"	-	49
RH 25.4 x 7.9	1.000" (25.4mm)	0.070"	0.080"	0.453"	-	97

Flat 'U' (FU)



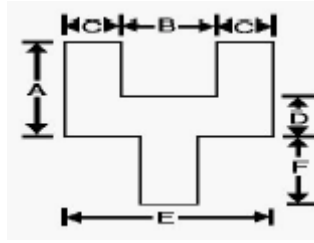
Part No.	LEAF (FACE) (A)	Leaf Thick (C)	Heart Thick (D)	Overall Thick (E)	Tail (F)	Die Number
Heart (Channel) Width (B): 0.125" (3.2mm)						
FU 3.6 x 3.2	0.141" (3.6mm)	0.039"	0.031"	0.203"	-	190
Heart (Channel) Width (B): 0.141" (3.6mm)						
FU 3 x 3.6	0.118" (3mm)	0.030"	0.031"	0.201"	-	LB FU
FU 6 x 3.6	0.236" (6mm)	0.039"	0.038"	0.219"	-	L 6 FU
Heart (Channel) Width (B): 0.156" (4mm)						
FU 5.3 x 4	0.210" (5.3mm)	0.032"	0.031"	0.220"	-	87
FU 8 x 4	0.315" (8mm)	0.032"	0.031"	0.220"	-	UF 616
FU 9.9 x 4	0.391" (9.9mm)	0.032"	0.031"	0.220"	-	87 A
Heart (Channel) Width (B): 0.188" (4.8mm)						
FU 4.8 x 4.8	0.188" (4.8mm)	0.032"	0.031"	0.252"	-	TIFF 'U'
Heart (Channel) Width (B): 0.250" (6.4mm)						
FU 5 X 6.4	0.196" (5mm)	0.032"	0.031"	0.314"	-	76
FU 6.4 x 6.4	0.250" (6.4mm)	0.033"	0.031"	0.316"	-	187

Round 'U' (RU)



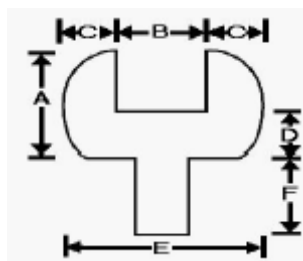
Part No.	LEAF (FACE) (A)	Leaf Thick (C)	Heart Thick (D)	Overall Thick (E)	Tail (F)	Die Number
Heart (Channel) Width (B): 0.125" (3.2mm)						
RU 1.6 x 3.2	0.063" (1.6mm)	0.032"	0.031"	0.189"	-	191
RU 2 x 3.2	0.079" (2mm)	0.032"	0.031"	0.189"	-	LM 3 FU
RU 4.8 x 3.2	0.188" (4.8mm)	0.084"	0.041"	0.293"	-	4498
Heart (Channel) Width (B): 0.141" (3.6mm)						
RU 2 x 3.6	0.078" (2mm)	0.055"	0.044"	0.251"	-	320
RU 2.1 x 3.6	0.083" (2.1mm)	0.032"	0.031"	0.205"	-	UC 510
Heart (Channel) Width (B): 0.156" (4mm)						
RU 3.6 x 4	0.141" (3.6mm)	0.034"	0.076"	0.224"	-	C 3
RU 4 x 4	0.158" (4mm)	0.036"	0.079"	0.228"	-	LC RU
RU 5.1 x 4	0.200" (5.1mm)	0.043"	0.076"	0.242"	-	C1
RU 5.2 x 4	0.203" (5.2mm)	0.037"	0.075"	0.230"	-	Moyer 'C'
RU 7 x 4	0.285" (7mm)	0.068"	0.067"	0.292"	-	16
Heart (Channel) Width (B): 0.172" (4.4mm)						
RU 4 x 4.4	0.156" (4mm)	0.031"	0.078"	0.234"	-	83
RU 5.1 x 4.4	0.200" (5.1mm)	0.040"	0.076"	0.252"	-	C 2

Flat 'Y' Bead (FY)



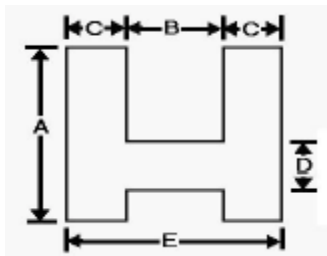
Part No.	LEAF (Face) (A)	Leaf Thick (C)	Heart Thick (D)	Overall Thick (E)	Tail (F)	Die Number
Heart (Channel) Width (B): 0.156" (4mm)						
FY 4.8 x 4	0.188" (4.8mm)	0.044"	0.045"	0.244"	0.125"	DS Y 2
FY 4.8 x 4-A	0.188" (4.8mm)	0.057"	0.045"	0.270"	0.188"	DS Y 1
Heart (Channel) Width (B): 0.188" (4.8mm)						
FY 4.8 x 4.8	0.188" (4.8mm)	0.062"	0.061"	0.312"	0.125"	124
Heart (Channel) Width (B): 0.234" (6mm)						
FY 4.8 x 4.8	0.188" (4.8mm)	0.058"	0.063"	0.350"	0.297"	131

Round 'Y' (RY)



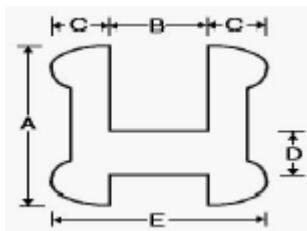
Part No.	LEAF (Face) (A)	Leaf Thick (C)	Heart Thick (D)	Overall Thick (E)	Tail (F)	Die Number
Heart (Channel) Width (B): 0.125" (3.2mm)						
RY 4.2 x 3.2	0.165" (4.2mm)	0.050"	0.072"	0.225"	0.250"	53
RY 4.8 x 3.2	0.188" (4.8mm)	0.054"	0.100"	0.233"	0.188"	Nouveau 'Y'
Heart (Channel) Width (B): 0.141" (3.6mm)						
RY 4.2 x 3.6	0.165" (4.2mm)	0.050"	0.091"	0.241"	0.203"	137
Heart (Channel) Width (B): 0.188" (4.8mm)						
RY 6.4 x 4.8	0.250" (6.4mm)	0.079"	0.085"	0.346"	0.359"	312

Off-Center 'H' (OH)



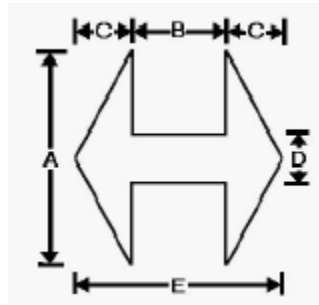
Part No.	LEAF (Face) (A)	Leaf Thick (C)	Heart Thick (D)	Overall Thick (E)	Tail (F)	Die Number
Heart (Channel) Width (B): 0.156" (4mm)						
OH 15.5 x 4	0.609" (15.5mm)	0.049"	0.047"	0.254"	-	74
Heart (Channel) Width (B): 0.188" (4.8mm)						
OH 15.5 x 4.8	0.609" (15.5mm)	0.040"	0.042"	0.268"	-	151

Off-Center 'H' Bead (OHB)



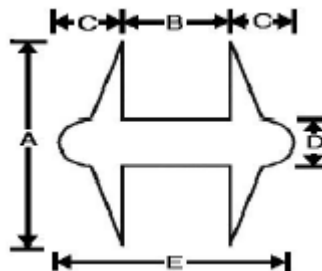
Part No.	LEAF (Face) (A)	Leaf Thick (C)	Heart Thick (D)	Overall Thick (E)	Tail (F)	Die Number
Heart (Channel) Width (B): 0.156" (4mm)						
OHB 11.1 x 4	0.438" (11.1mm)	0.032"	0.031"	0.220"	-	315
OHB 11.5 x 4	0.453" (11.5mm)	0.032"	0.031"	0.220"	-	170
OHB 12.7 x 4	0.500" (12.7mm)	0.035"	0.042"	0.226"	-	48
OHB 16.3 x 4	0.641" (16.3mm)	0.043"	0.048"	0.242"	-	151 B
Heart (Channel) Width (B): 0.172" (4.4mm)						
OHB 14.9 x 4.4	0.585" (14.9mm)	0.032"	0.044"	0.236"	-	203
Heart (Channel) Width (B): 0.188" (4.8mm)						
OHB 13.1 x 4.8	0.516" (13.1mm)	0.027"	0.045"	0.242"	-	215
OHB 16.7 x 4.8	0.656" (16.7mm)	0.029"	0.042"	0.246"	-	307
OHB 22.2 x 4.8	0.875" (22.2mm)	0.020"	0.052"	0.228"	-	176

Pointed 'H' Bead (PH)



Part No.	LEAF (Face) (A)	Leaf Thick (C)	Heart Thick (D)	Overall Thick (E)	Tail (F)	Die Number
Heart (Channel) Width (B): 0.141" (3.6mm)						
PH 3.2 x 3.6	0.125" (3.2mm)	0.093"	0.024"	0.327"	-	14
Heart (Channel) Width (B): 0.156" (4mm)						
PH 2.4 x 4	0.094" (2.4mm)	0.032"	0.031"	0.220"	-	13
PH 4 x 4	0.156" (4mm)	0.162"	0.038"	0.480"	-	80
PH 5.6 x 4	0.219" (5.6mm)	0.032"	0.031"	0.220"	-	101
Heart (Channel) Width (B): 0.297" (97.5mm)						
PH 5.3 x 7.5	0.210" (5.3mm)	0.154"	0.040"	0.605"	-	85

Pointed 'H' Bead (PHB)



Part No.	LEAF (Face) (A)	Leaf Thick (C)	Heart Thick (D)	Overall Thick (E)	Tail (F)	Die Number
HEART (CHANNEL) Width (B): 0.156" (4mm)						
PHB 3.2 x 4	0.125" (3.2mm)	0.032"	0.031"	0.220"	-	19
PHB 15.9 x 4	0.625" (15.9mm)	0.073"	0.057"	0.302"	-	310 A
HEART (CHANNEL) Width (B): 0.172" (4.4mm)						
PHB 13.5 x 4.4	0.531" (13.5mm)	0.068"	0.057"	0.308"	-	310
PHB 15.9 x 4.4	0.625" (15.9mm)	0.064"	0.165"	0.300"	-	301A
HEART (CHANNEL) Width (B): 0.188" (4.8mm)						
PHB 4.8 x 4.8	0.188" (4.8mm)	0.082"	0.041"	0.352"	-	46
HEART (CHANNEL) Width (B): 0.250" (6.4mm)						
PHB 8.3 x 6.4	0.328" (8.3mm)	0.145"	0.062"	0.540"	-	71